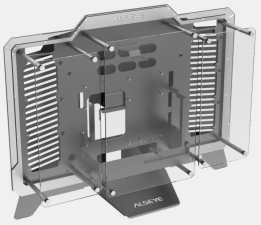
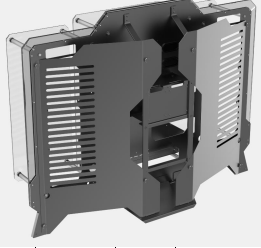


| ALSEYE® | | 开放式机箱参数 | |
|---------|---|---|--|
| 型号 | TITAN |   | |
| 系列 | OPEN CHASSIS | | |
| 机箱尺寸 | 830 X 300 X 650mm | | |
| 净重 | 18kg | | |
| 包装尺寸 | 960 X 235 X 770mm | | |
| 毛重 | 22kg | | |
| 正窗 | 钢化玻璃窗口 | | |
| 机壳 | 主面板2.0mm金属板 背面板1.0mm金属板 电源壳1.0mm金属板 其他均为2.0金属板 | | |
| 外壳颜色 | 银黑色机箱 | | |
| 灯光效果 | 1 (AURO/指挥官控制RGB) | | |
| 驱动器托架 | 3 X 3.5" 或者 2 X 3.5" + 2 X 2.5" | | |
| PCI插槽 | 8卡槽和1个PCIe转接卡 | | |
| 适用主板 | 最大主板尺寸空间325*330mm 1. ITX (170*170mm) 2. MATX (244*244mm) 3. UATX (244*185mm) 4. FlexATX (229*191mm) 5. Mini ATX (284*208mm) 6. ATX (305*244mm) 7. E-ATX (305*330mm) 8. XL-ATX (325*275mm) | | |
| I/O连接埠 | USB3.0 X 1,USB2.0 X 2,HDAudio X 2 | | |
| 风扇支持 | 6 X 120mm | | |
| 水冷排支持 | 2 X 360mm | | |
| 空间限制 | CPU散热器高度限制: 145mm PSU长度限制: 200mm 显卡长度限制: 380mm 显卡数量限制: 4个双槽显卡 | | |

开放式机箱选配

| 推荐配件一 | | | | |
|----------|------------------------------|--|--|--|
| 水排 | 2 (360水排) | | | |
| 机甲 | 2 (X-TW150机甲总高310mm) | | | |
| 方向接头 | 8 | | | |
| 90度接头 | 14 | | | |
| 硬管快拧 | 16 | | | |
| 水冷头 | 1 (CS水冷头) | | | |
| 风扇 | 6 (X12风扇1700转) | | | |
| 灯光控制器 | 1 指挥官S | | | |
| 普通流速器 | 1 (有灯有叶轮) | | | |
| 电子流速器 | 1 (可灌溉) | | | |
| 亚克力管 | 10根 X 外#14mm, 内#10mm, 长500mm | | | |
| 冷却液 | 2瓶 (500ml/瓶) | | | |
| 注液瓶 | 1 | | | |
| 推荐配件二 | | | | |
| 水排 | 2 (360水排) | | | |
| 机甲 | 2 (X-TW150机甲总高310mm) | | | |
| 方向接头 | 8 | | | |
| 90度接头 | 14 | | | |
| 硬管快拧 | 16 | | | |
| 水冷头 | 1 (CS水冷头) | | | |
| 风扇 | 6 (X12风扇1700转) | | | |
| 灯光控制器 | 1 指挥官S | | | |
| 普通流速器 | 1 (有灯有叶轮) | | | |
| 2组Y型组合接头 | 2个Y型接头, 2个堵头, 2个双向接头 | | | |
| 亚克力管 | 10根 X 外#14mm, 内#10mm, 长500mm | | | |
| 冷却液 | 2瓶 (500ml/瓶) | | | |
| 注液瓶 | 1 | | | |

| | | | |
|---------------|---|-----------------------|--|
| Model | TITAN | Open chassis option | |
| SERIES | OPEN CASE SERIES | Recommend | |
| Case Size | 830 X 300 X 650mm | Radiator | 2 (360Radiator) |
| N.W. | 18kg | Pump Combo | 2 (X-TW150 total height 310mm) |
| Carton Size | 960 X 235 X 770mm | Knuckle | 8 |
| G.W. | 22 kg | Quick Twist | 16 |
| Panel | Tempered Glass window | Water cooling | 1 (CS Water Block) |
| Chassis | Main panel 2.0mm metal plate | Fan | 6 (X12 Fan 1700 Rpm) |
| | Back plate 1.0mm metal plate | | |
| | Power Shell 1.0mm Metal Plate | | |
| | Others are 2.0 metal plates | | |
| Colour | Silver black | Controller | 1 Commander-S |
| LED | 1 (AURO/Commander-S) | Flowmeter | 1 (With lights and impellers) |
| DriveBays | 3 X 3.5"or | Electronic flow meter | 1 (Can be irrigated) |
| | 2 X 3.5"+ 2 X 2.5" | | |
| PCI Expansion | 8 and 1 PCIe riser card | Acrylic Tube | 10 pieces X outer # 14mm, inner # 10mm, length 500mm |
| Motherboard | Maximum motherboard size | | |
| Type | 1. ITX (170*170mm) | | |
| | 2. MATX (244*244mm) | | |
| | 3. UATX (244*185mm) | | |
| | 4. FlexATX (229*191mm) | | |
| | 5. Mini ATX (284*208mm) | | |
| | 6. ATX (305*244mm) | | |
| | 7. E-ATX (305*330mm) | | |
| | 8. XL-ATX (325*275mm) | | |
| I / O Port | USB3.0 X 1,HDAudio X 2 | | |
| Reserved Fan | 6 X 120mm | | |
| Water cooling | 2 X 360mm | | |
| Clearance | CPU cooler height limitation: | | |
| | 145mm | | |
| | PSU length limitation: 200mm | | |
| | GPU length limitation:380mm | | |
| | Number of GPU: 4 dual-slot graphics cards | | |