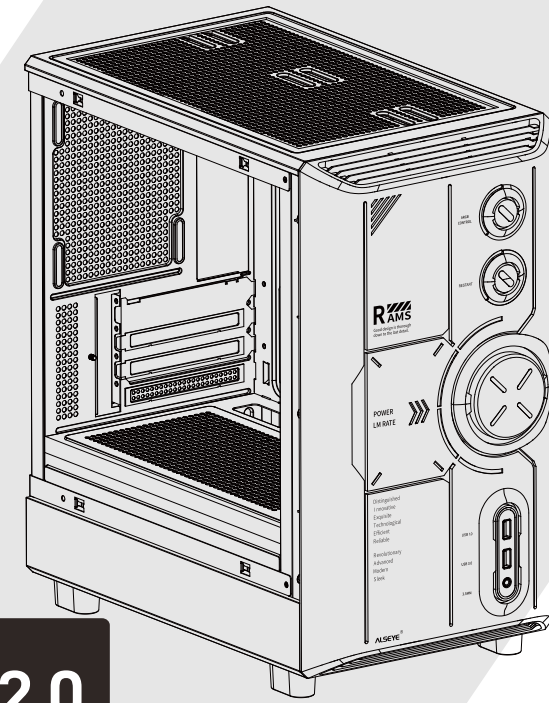


说明书正反印刷
 材质:120g 铜版纸
 尺寸:130*130MM



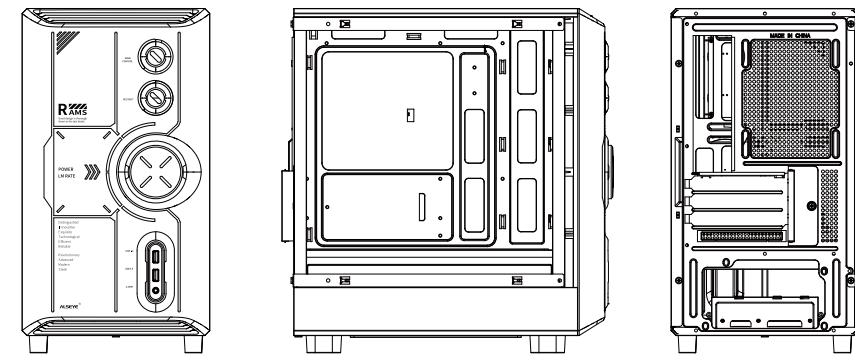
ALSEYE®

Computer Case



RAMS SERIES
RAMS 2.0
 User Manual

Computer Case Installation



A.MOTHERBOARD

- 1.THE HOLES OF MOTHERBOARD SCREW ALIGN WITH THE HEXAGON PILLARS
- 2.FIX THE MOTHERBOARD AND CASE WITH MOTHERBOARD SCREW
- 3.CPU MAX H:180MM

MOTHERBOARD SPECIFICATIONS
 MICRO ATX/ITX

B. VGA CARD

- 1.INSERT THE VGA CARD TO THE CARD SLOT OF MOTHERBOARD
- 2.FIX THE VGA CARD WITH SCREWS
- 3.RESERVING THE VGA CARD SLOTS FOR THE CASE
- 4.VGA MAX L:305MM

C.POWER SUPPLY

- 1.THE HOLES OF PSU ALIGN WITH THE RESERVED HOLE FOR CASE
- 2.FIX WITH THE SCREWS

D.HDD

- 1.SUPPORT HDD*2
- 2.THE SCREW HOLES OF HDD ALIGN WITH THEHDD HOLES, LOCKED THE HDD SCREWHDD

E.SSD

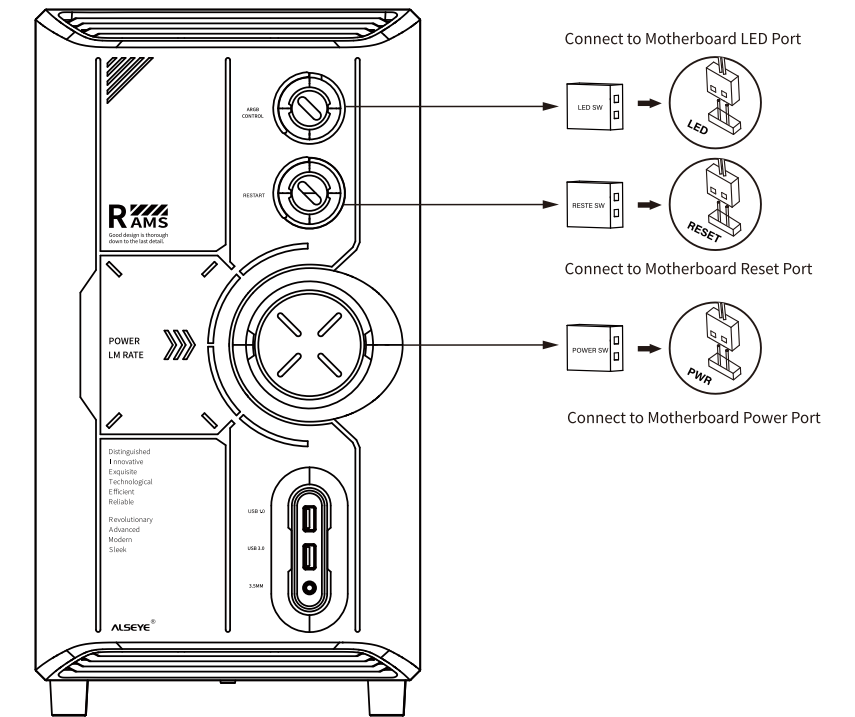
- 1.SUPPORT SSD*1
- 2.THE HOLES OF SSD ALIGN WITH THE RESERVED HOLEFOR CASESSD
- 3.FIX SSD WITH THE MOTHERBOARD SCREWS

F LIQUID COOLER

- 1.TOP:240MM
- 1.FRONT: 120mm*2
- 2.REAR: 120mm*1
- 3.TOP: 120mm*2/140mm*2
- 4.BOTTOM: 120mm*2

G.FAN

Cable Connection Instructions



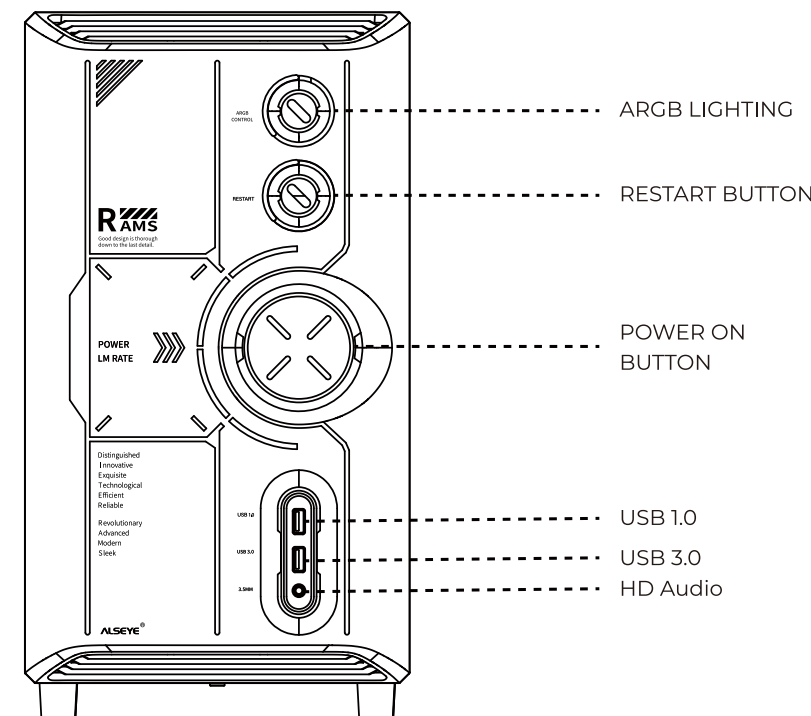
DREAM BIG, EXPLORE INFINITY

ALSEYE®

深圳奥斯艾科技有限公司 SHEN ZHEN ALSEYE TECHNOLOGY CO.,LTD
 B309, Block B, 3rd floor, Xindushi Plaza, NO.2008 Xinzhou South Road, Futian District, Shenzhen, Guangdong Province, China
 Tel: 86-0755-23600230 E-mail: support@alseyecorp.com



Button Functions



Product Specifications

1: Motherboard Compatibility: Micro ATX/ITX
2: I/O Port: USB1.0*1+USB3.0*1+HD Audio
3: CD ROM: 0
4: Driver Bracket: SSD*1+HDD*2
5: Product size: L385*W218*H400mm
6: Metal Size: L348*W218*H380mm
7: Carton Size: L452*W277*H418mm
8: 40HQ: 1260pcs
9: Side Panel Material: All Glass
10: Material: SPCC, 0.6mm Thickness
11: Max CPU Height: 180mm
12: Max VGA Length: 305mm
13: Max Power Supply: 160mm
14: Net Weight: 3.3kg
15: Gross Weight: 4.3kg
16: Cooling Fans: Front: 12cm*2 Rear: 12cm*1 Top: 12cm*2 Bottom: 12cm*2
17: Liquid Cooler: Top: 240cm*1

Product Warranty Card

ALSEYE®

Product Name	User Name
Product Model	Contact Number
Purchase Date	Contact Address

*Note: If the user fails to provide the certificate of purchase date,the factory date shall prevail

Thank you for purchasing and using **ALSEYE®** heat dissipation series products. In order to enjoy better service, please read the following contents carefully and properly Keep this warranty card safe.In case of non-human fault of the products produced by our company under normal use, the customer can present this warranty card and have Apply for warranty service from the original dealer with the purchase voucher.

But the following circumstances are not included:

1. Damage caused by human factors, including failure caused by operation not according to the instructions, or roduct impact, fall, bending caused by improper storageDamage caused by, etc. (obvious wear marks on the product surface, etc.);
2. Failure caused by disassembly, maintenance and modification by oneself, or maintenance by non-special maintenance sites;
3. The user cannot provide the product warranty card and valid purchase voucher;
4. Artificially alter purchase records or product information;
5. The warranty period of the product is exceeded.