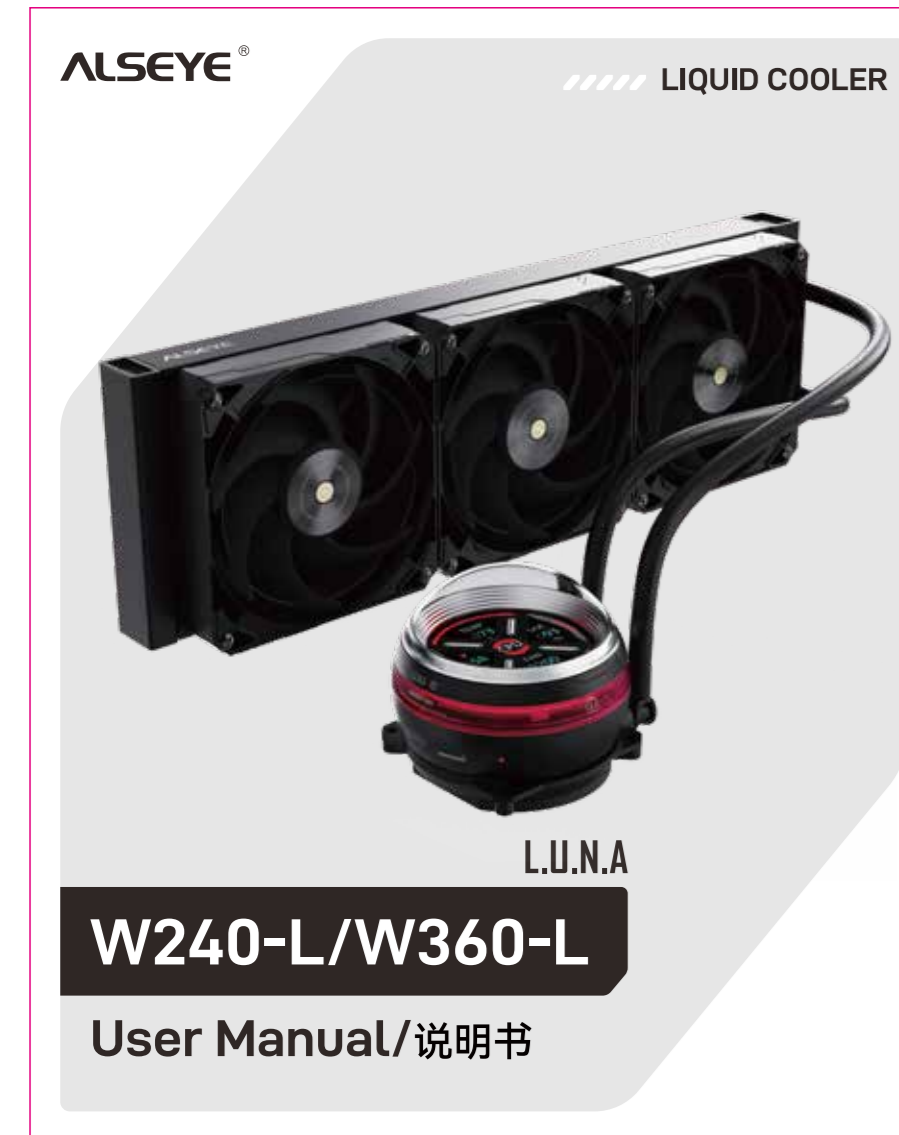
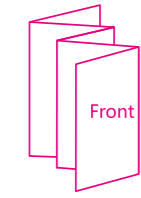


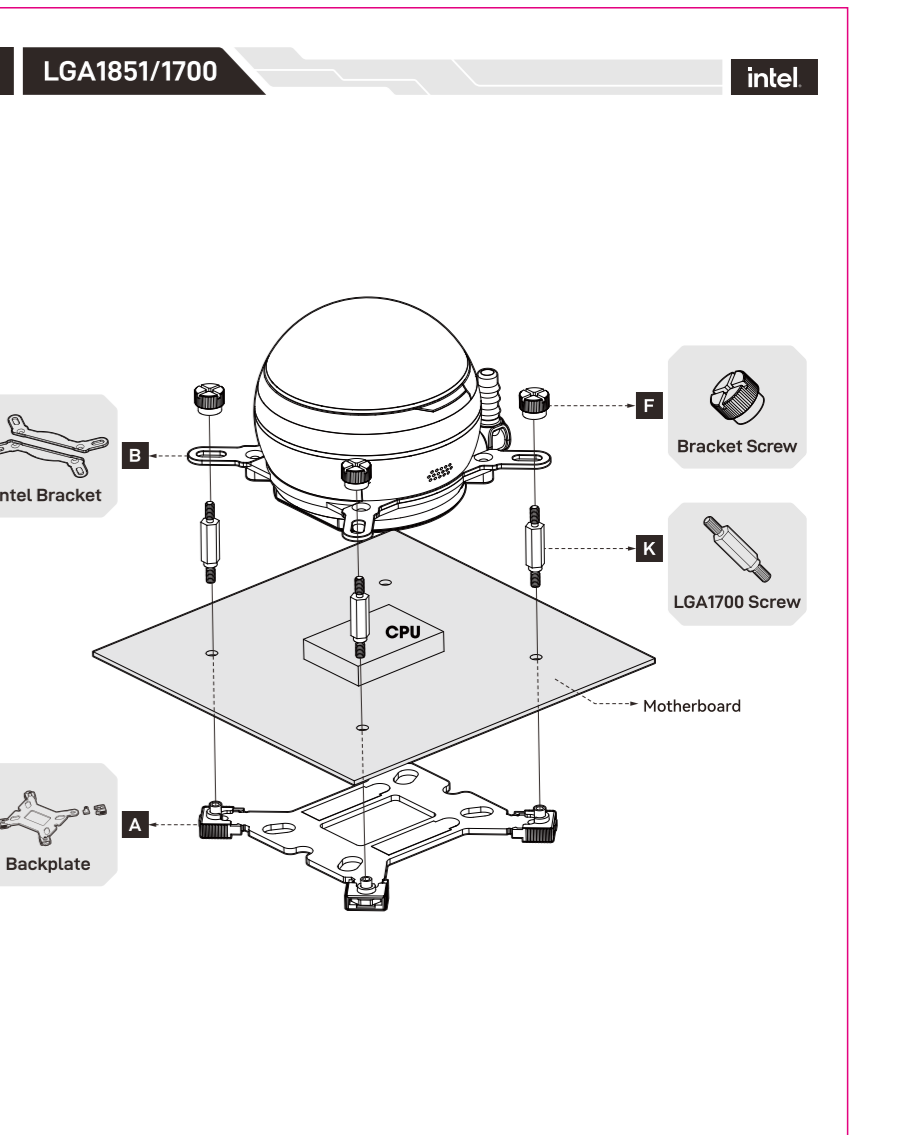
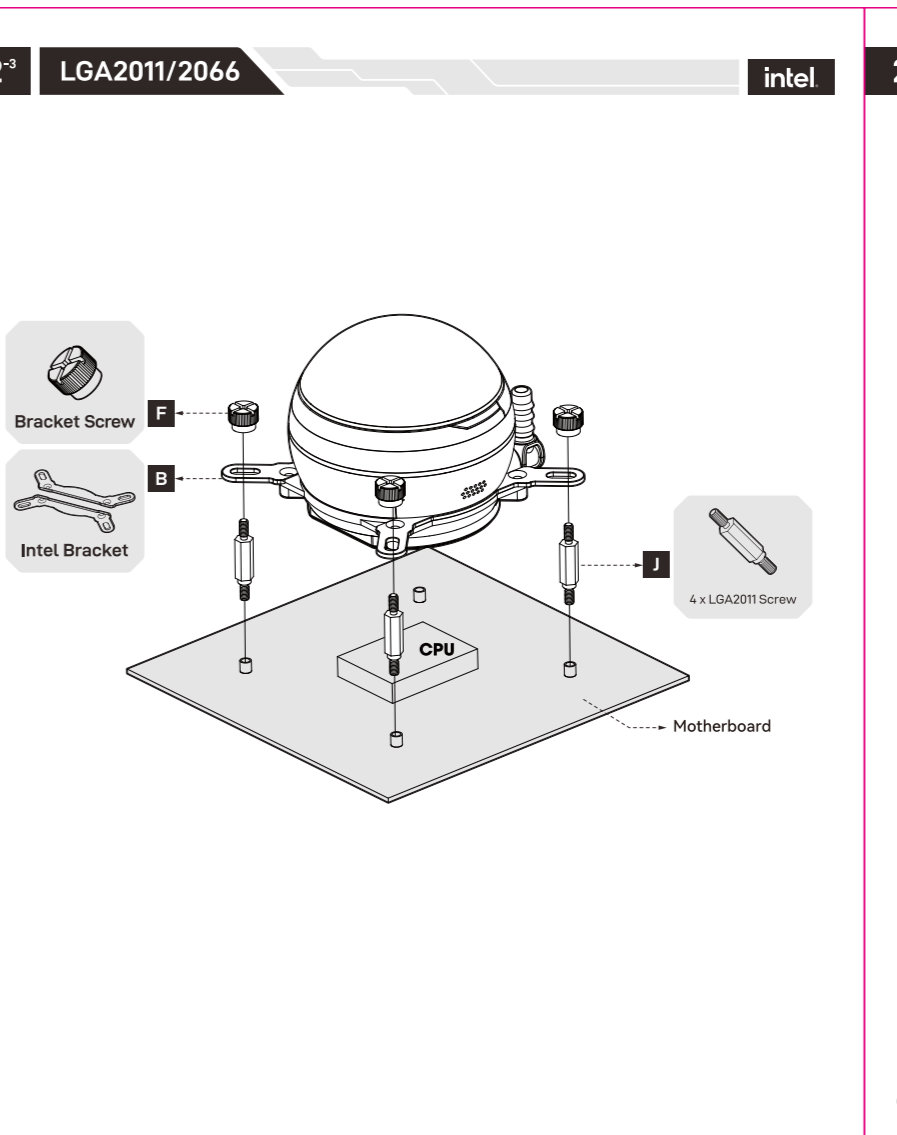
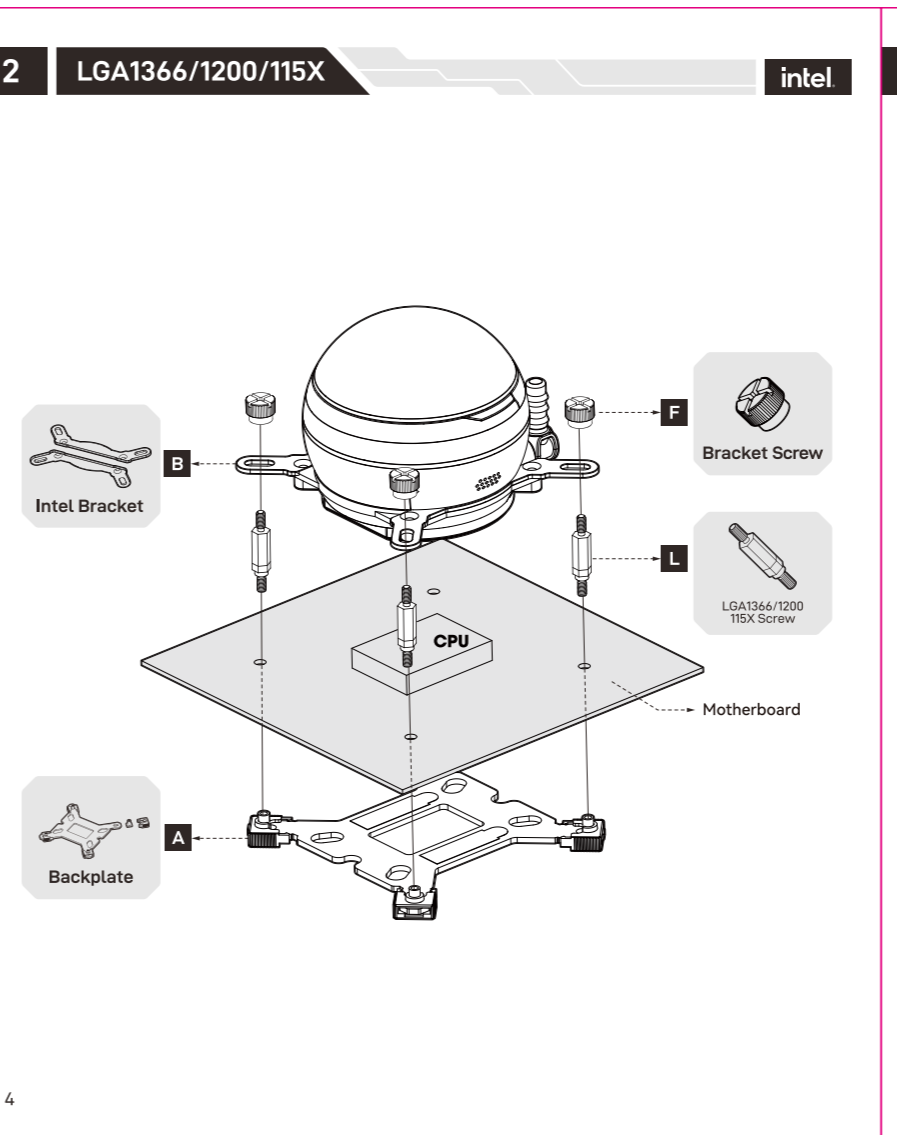
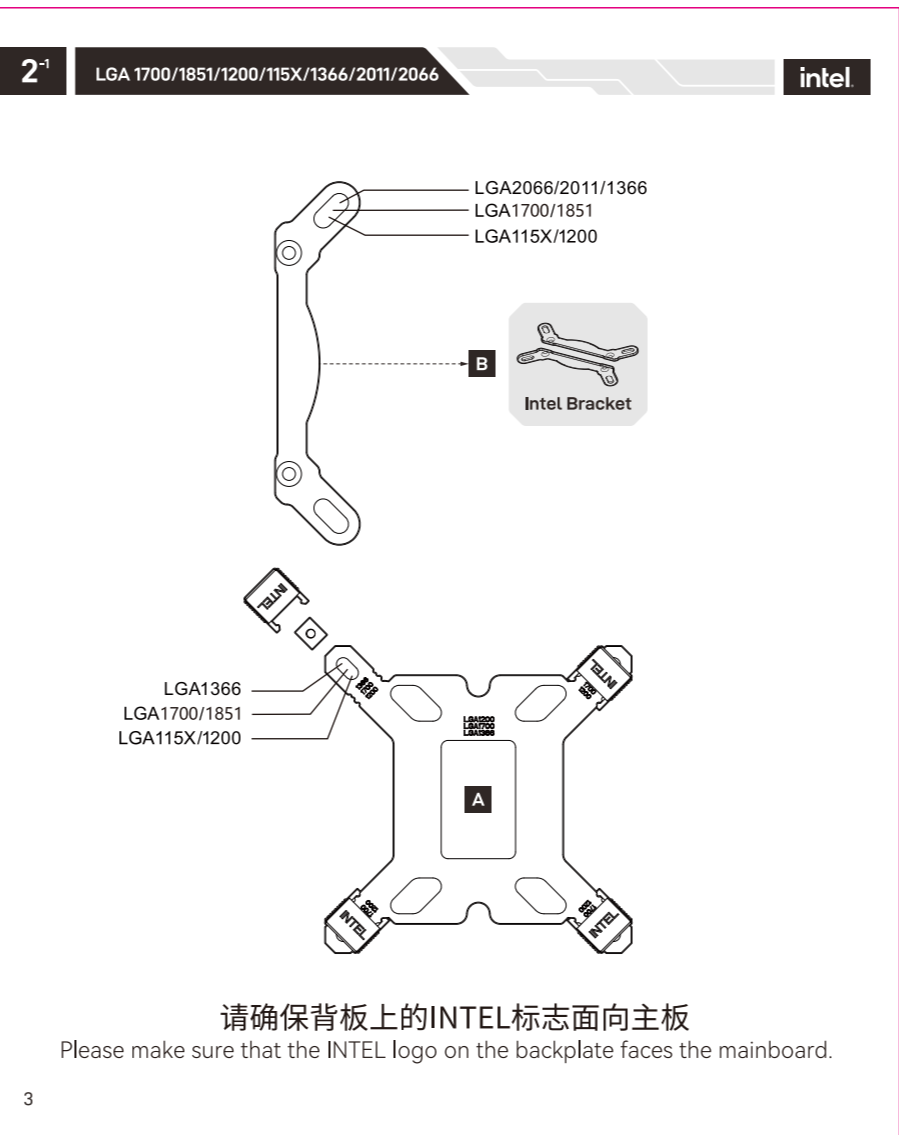
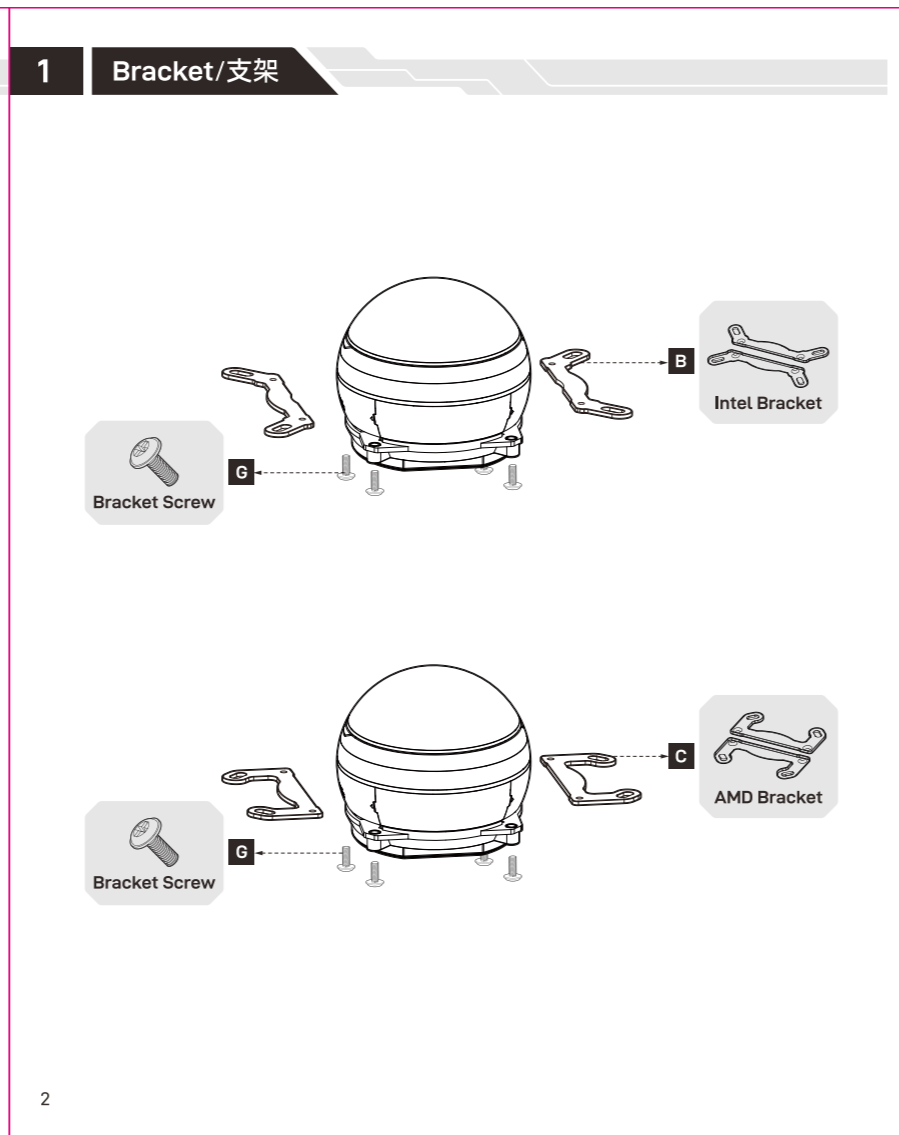
W240-L/W360-L说明书

黑白印刷, 风琴折
折后尺寸: 120*150mm
纸材质: 120g 铜版纸



Package Contents/包装内容

A 1x Backplate	B 1x Intel Bracket	C 1x AMD Bracket
E 1x Thermal Paste	F 4x Bracket Screw	G 4x Bracket Screw
I 4x LGA2011 Screw	K 4x LGA1700 Screw	L 4x LGA1366/115X/1200 Screw
M 4x AMD Screw	N Fan Screw W240-L: 8 pcs/W360-L: 12 pcs	O Radiator Screw W240-L: 8 pcs/W360-L: 12 pcs
P W240-L: 1 to 2 cable W360-L: 2 cable		



DREAM BIG, EXPLORE INFINITY

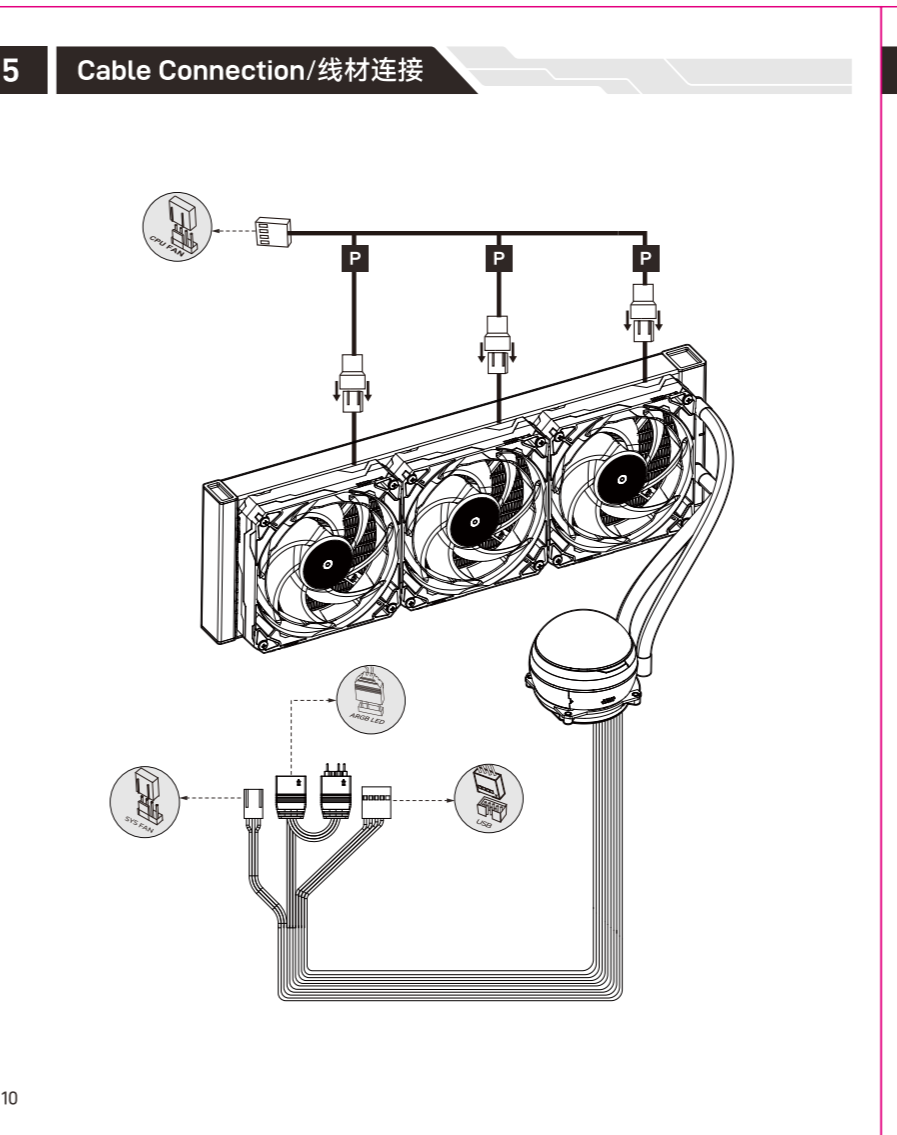
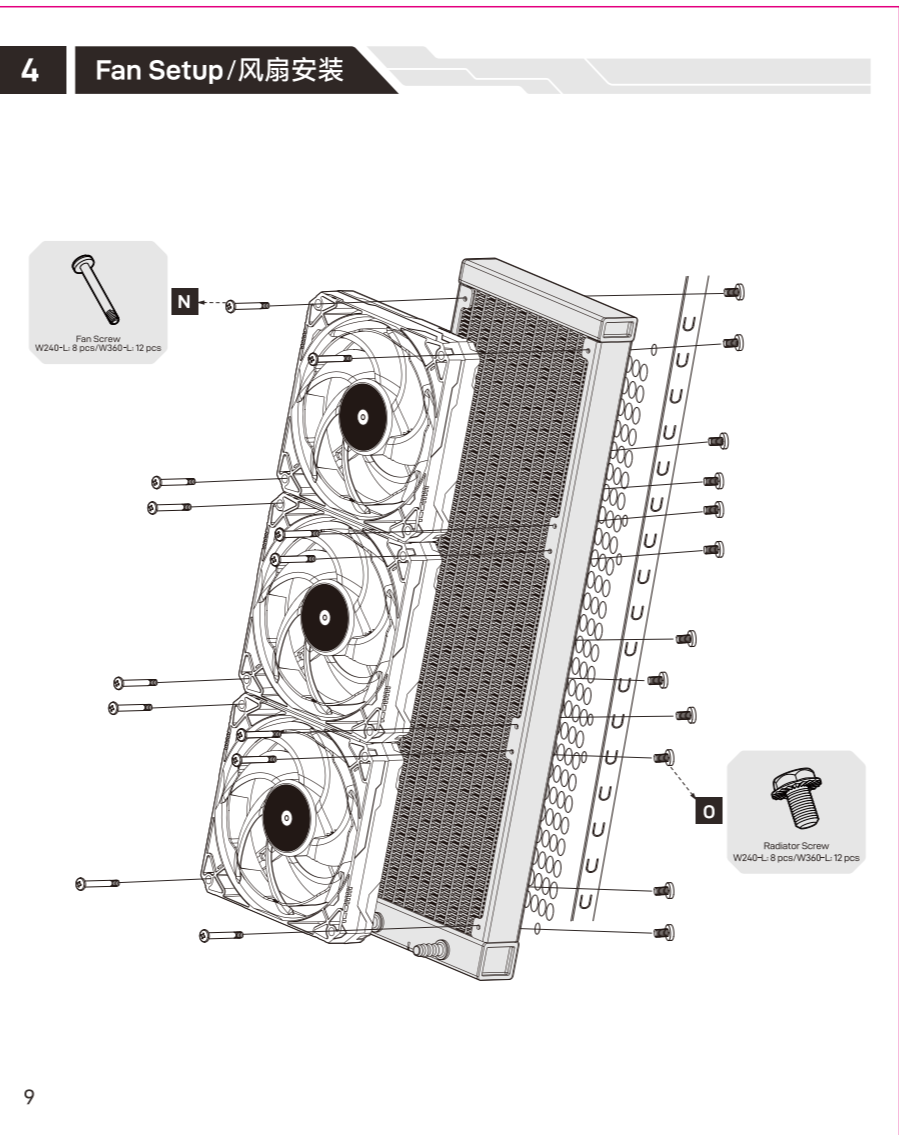
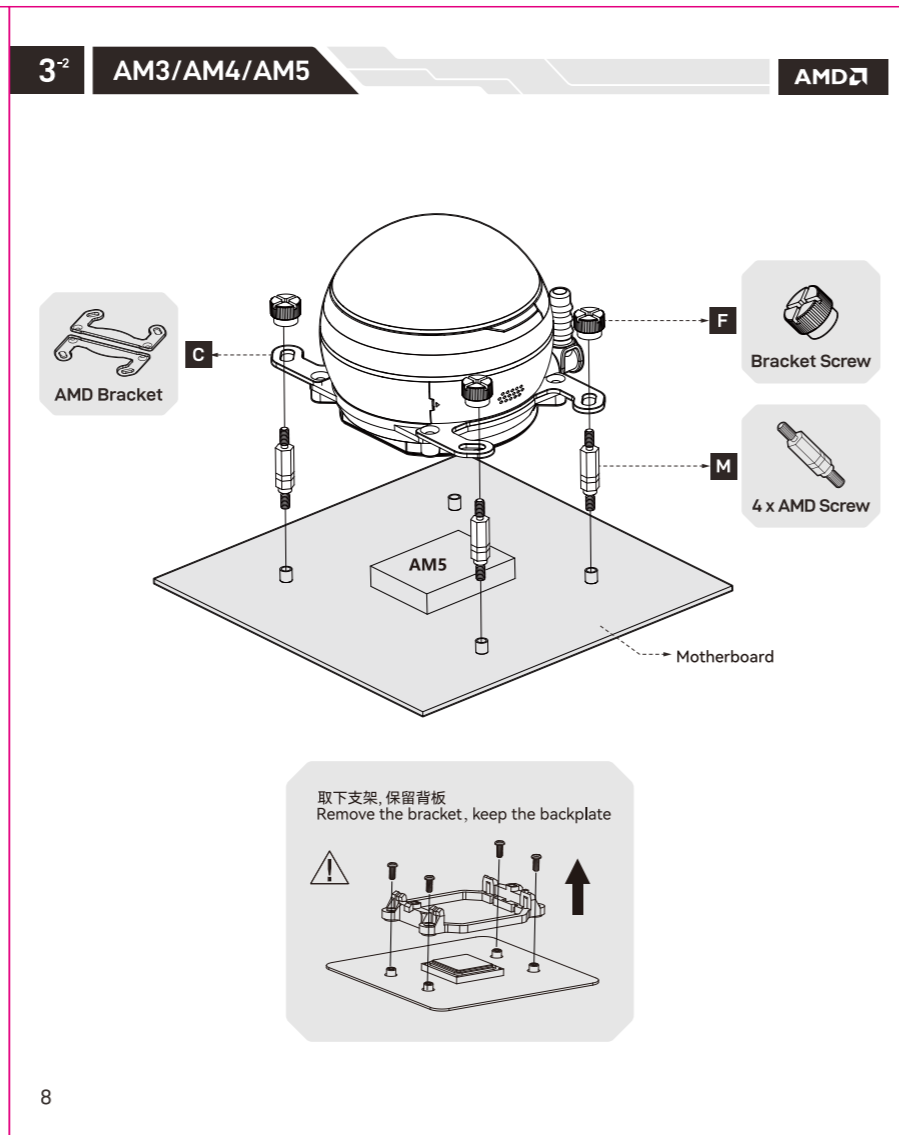
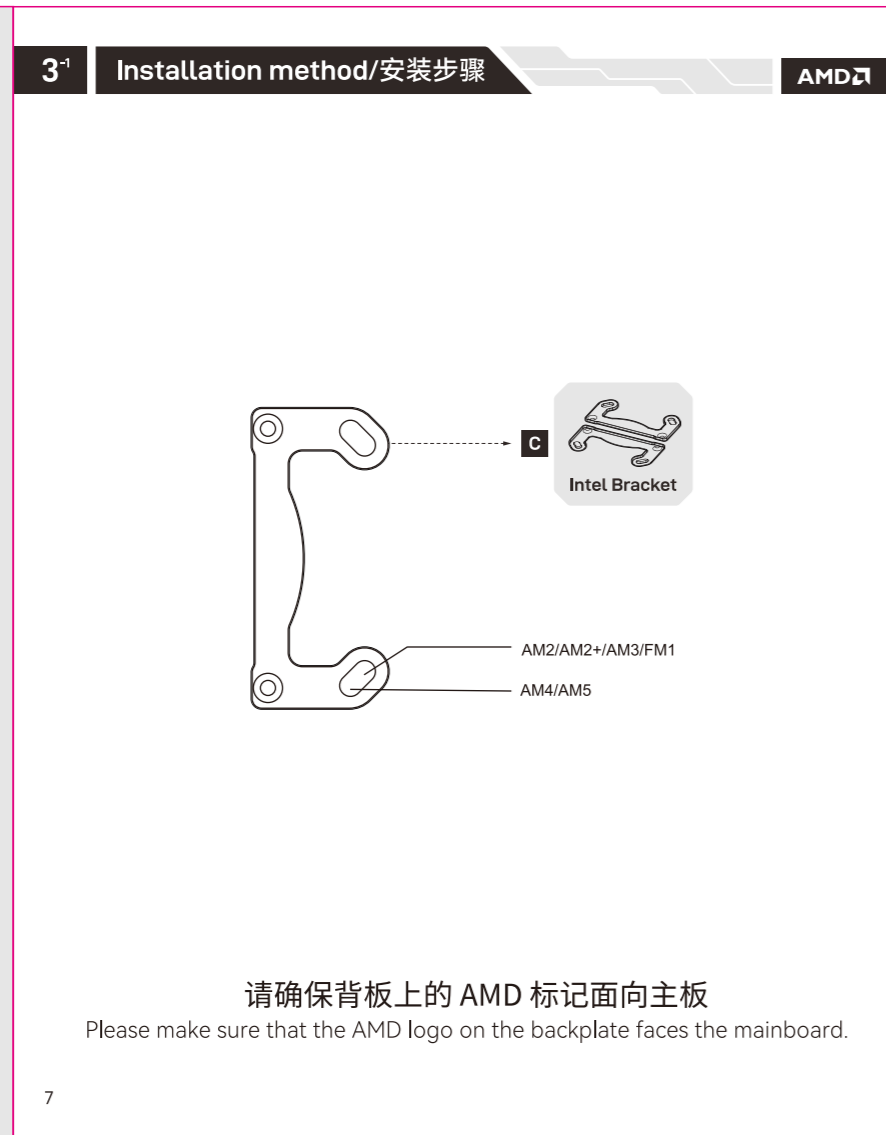
ALSEYE

深圳奥斯特科技有限公司 SHENZHEN ALSEYE TECHNOLOGY CO.,LTD
深圳市福田区福保街新港社区新洲南路2008号新都市商业广场三层B座309
B309, Block B, 3rd floor, Xindushi Plaza, NO.2008 Xinzhou South Road, Futian District, Shenzhen, Guangdong Province, China
Tel: 86-0755-23600200 E-mail: support@alseyecorp.com

FC CE
ROHS

alseyecorp.com @ALSEYE Alseyecorp.com AlseyeCorp Bilibili TikTok Rednote

提醒/Reminder:
如果产品开箱前请下载并安装温度显示软件(仅支持Windows系统),否则温度显示功能无法正常工作。
软件下载地址: <https://www.alseyecorp.com/product-item/monitor>
Please download and install the temperature display software on PC (Windows O/S only), otherwise the temperature display function will not work. The software download URL: <https://www.alseyecorp.com/product-item/monitor>



Product Warranty Card

Product Name _____ User Name _____
Product Model _____ Contact Number _____
Purchase Date _____ Contact Address _____

*Note: If the user fails to provide the certificate of purchase date, the factory date shall prevail.

Thank you for purchasing and using ALSEYE heat dissipation series products. In order to enjoy better service, please read the following contents carefully and properly. Keep this warranty card safe. In case of non-human fault of the products produced by our company under normal use, the customer can present this warranty card and have Apply for warranty service from the original dealer with the purchase voucher.
But the following circumstances are not included:
1. Damage caused by human factors, including failure caused by operation not according to the instructions, or product impact, fall, bending caused by improper storage. Damage caused by, etc. (obvious wear marks on the product surface, etc.);
2. Failure caused by disassembly, maintenance and modification by oneself, or maintenance by non-specified maintenance sites;
3. The user cannot provide the product warranty card and valid purchase voucher;
4. Artificially alter purchase records or product information;
5. The warranty period of the product is exceeded.

产品保修卡

产品名称 _____ 用户姓名 _____
产品型号 _____ 联系电话 _____
购买日期 _____ 联系地址 _____

*注: 用户未能提供购买日期凭证者以产品出厂日期为准

感谢您购买使用 ALSEYE 散热系列产品, 为了您能享受更好的服务, 请您仔细阅读以下内容并妥善保管好此保修卡。本公司出品的产品在正常使用情况下如发生非人为故障, 客户可凭此保修卡及有效购买凭证向原经销商申请保修服务。
但不包含以下情况:
1. 人为因素造成的损坏, 包括不按说明书操作引起的故障, 或因保管不善造成产品撞击、跌落、折弯等引起的损坏(产品表面有明显磨损等);
2. 私自拆卸自行维修和改装或由非特授权的维修站点维修所引起的故障;
3. 用户无法提供产品保修卡及有效购买凭证;
4. 对购买记录或产品信息等人为涂改的;
5. 超出产品保修期限。